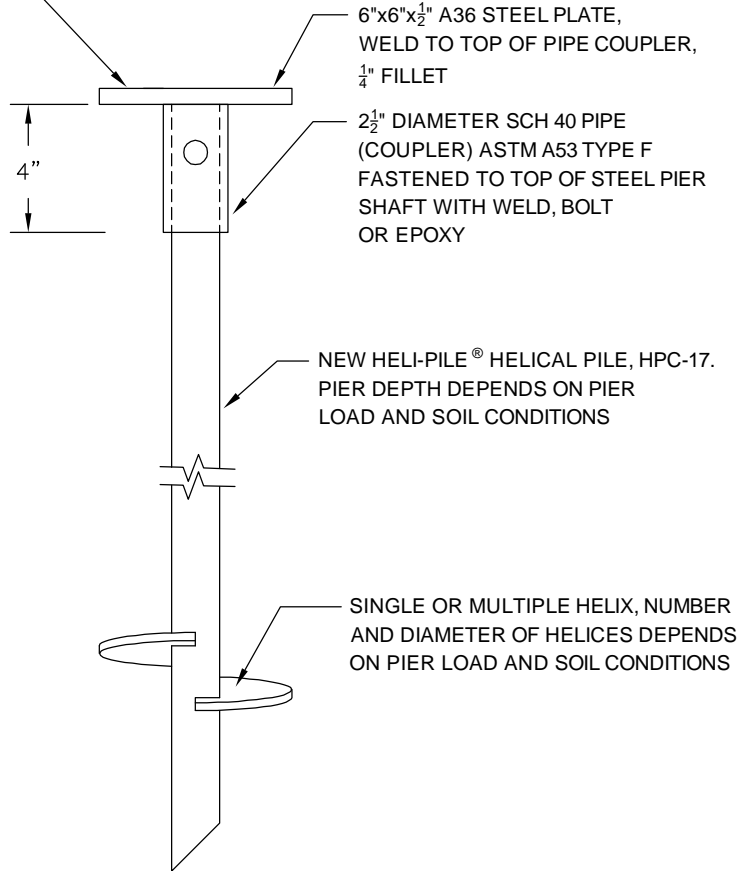


**PC-175R  
FOR HPC-17**

NEW CONSTRUCTION FLAT  
PLATE BRACKET  
FOR COMPRESSION APPLICATIONS  
FOR HELI-PILE® HELICAL PILE HPC-17



THE ULTIMATE MECHANICAL COMPRESSION  
CAPACITY OF THIS BRACKET IS 110,000 LBS  
WHEN BOLTED, WELDED, OR EPOXY GLUED  
TO THE STEEL PIER SHAFT.

WHEN BOLTED WITH AN ASTM A193 Gr B7  
 $\frac{7}{8}$ " DIAMETER BOLT, EQUAL OR BETTER, THE  
ULTIMATE MECHANICAL TENSION CAPACITY  
IS 40,000 LBS

**NEW CONSTRUCTION FLAT PLATE COMPRESSION BRACKET - PIPE COUPLER  
FOR HELI-PILE® HPC-17 HELICAL PILES**

NO SCALE

THIS DRAWING AND THE INFORMATION CONTAINED HEREON ARE THE PROPERTY OF IMR, Inc. THIS DRAWING IS INTENDED FOR THE SOLE USE OF IMR, Inc., AND ITS AUTHORIZED CLIENTS ONLY.

**HELI-PILE®**



IMR, Inc. - DENVER  
5135 Ward Road, Wheat Ridge, Colorado, 80033 USA  
303-423-0591 Fax: 303-423-9155  
www.helipile.com

**SPECIFICATION  
SHEET**

**NEW CONSTRUCTION  
COMPRESSION BRACKET**

DRAWN BY: RJV ENGINEER: JSP

PC-175R.DWG SHEET 1 OF 1  
DATE: 9/2/09 REVISION: 0