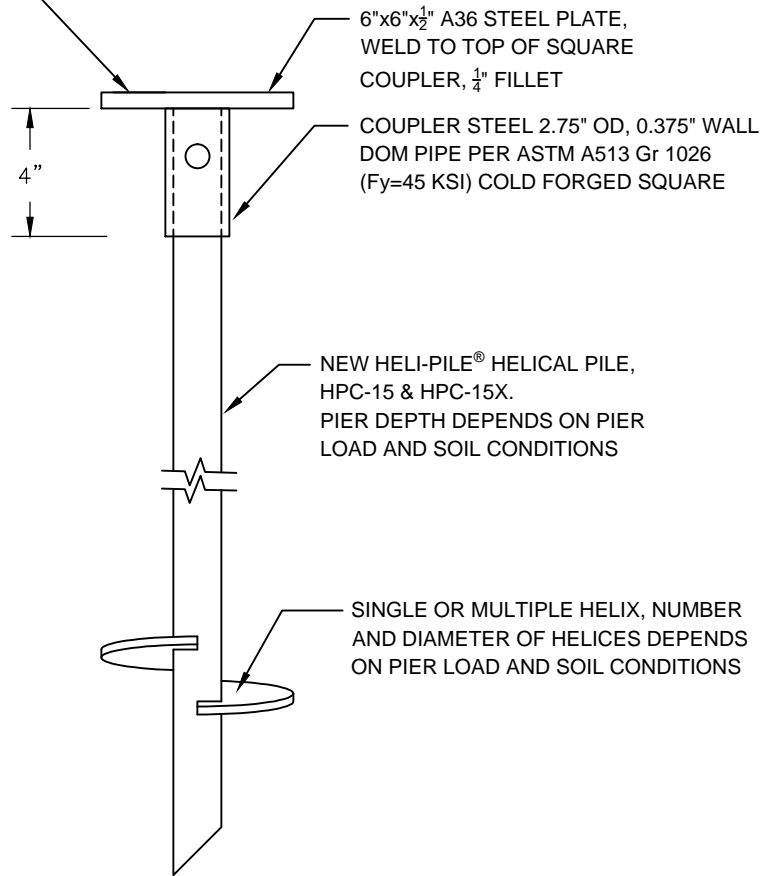


**PC-150
FOR HPC-15 & HPC-15X**

NEW CONSTRUCTION FLAT
PLATE BRACKET FOR
COMPRESSION APPLICATIONS
FOR HELI-PILE® HELICAL PILE
HPC-15 & HPC-15X



THE ULTIMATE MECHANICAL COMPRESSION
CAPACITY OF THIS BRACKET IS 110,000 LBS
WHEN BOLTED, WELDED, OR EPOXY GLUED
TO THE STEEL PIER SHAFT.

WHEN BOLTED WITH AN SAE J429 Gr 5
 $\frac{3}{4}$ " DIAMETER BOLT, EQUAL OR BETTER, THE
ULTIMATE MECHANICAL TENSION CAPACITY
IS 46,000 LBS

**NEW CONSTRUCTION FLAT PLATE COMPRESSION BRACKET - SQUARE COUPLER
FOR HELI-PILE® HPC-15 & HPC-15X HELICAL PILES**

NO SCALE

THIS DRAWING AND THE INFORMATION CONTAINED HEREON ARE THE PROPERTY OF IMR, Inc., AND ITS AUTHORIZED CLIENTS ONLY.

HELI-PILE®



IMR, Inc. - DENVER
5135 Ward Road, Wheat Ridge, Colorado, 80033 USA
303-423-0591 Fax: 303-423-9155
www.helipile.com

**SPECIFICATION
SHEET**

**NEW CONSTRUCTION
COMPRESSION BRACKET**

DRAWN BY: RJV ENGINEER: JSP

PC-150.DWG SHEET 1 OF 1

DATE: 11/03/16 REVISION: 1