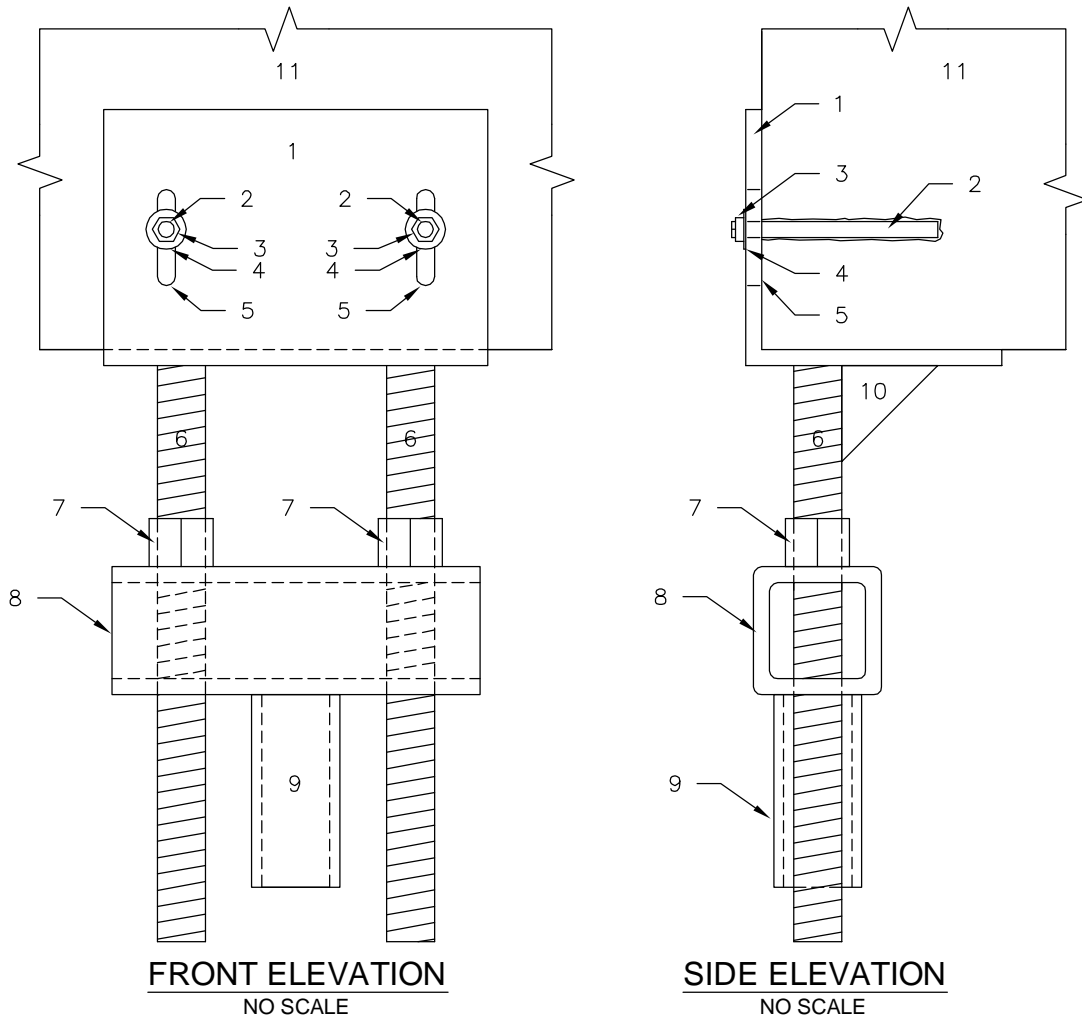


THIS DRAWING AND THE INFORMATION CONTAINED HEREON ARE THE PROPERTY OF IMR, Inc. THIS DRAWING IS INTENDED FOR THE SOLE USE OF IMR, Inc., AND ITS AUTHORIZED CLIENTS ONLY.

UP-175

UNDERPINNING BRACKET



1. STRUCTURAL ANGLE: 8" X 8" X 1/2", 12" LONG
2. CONCRETE EXPANSION BOLT: 1/2" X 5-1/2" REDHEAD OR EQ.
3. NUT ON EXPANSION BOLT
4. WASHER ON EXPANSION BOLT
5. SLOTTED HOLE: 1-1/4" X 9/16"
6. THREAD ROD: 1-1/2" WILLIAMS GR 75, 18" LONG
7. NUT: 1-1/2"
8. STRUCTURAL TUBE: 4" X 4" X 1/2", 11.5" LONG
9. PIPE SLEEVE: 2-1/2" SCH 80 PIPE, 6" LONG
10. GUSSET PLATE: 3" X 3" X 1/2"
11. CONCRETE FOOTING OR GRADE BEAM

NOTE: ALL ANGLE STEEL, PLATE STEEL, & STRUCTURAL TUBING IS A36.
ALL PIPE IS 35 KSI MIN YIELD.
ULTIMATE CAPACITY 200,000 LBS

U.S. PATENT NO. 5,800,094

<p>HELI-PILE[®] IMR, Inc. - DENVER 5135 Ward Road, Wheat Ridge, Colorado, 80033 USA 303-423-0591 Fax: 303-423-9155 www.helipile.com</p>	<p>SPECIFICATION SHEET</p>	<p>UP-175 UNDERPINNING BRACKET</p>
	<p>DRAWN BY: RJV ENGINEER: JSP</p>	<p>UP-175.DWG SHEET 1 OF 1</p>